

## Pyropanel RF collars for Armaflex-clad Metal Pipes

### DESCRIPTION

Pyropanel Retrofit fire collars have been tested and approved for many uses, including sealing copper pipes that are insulated with FR Armaflex® flexible foam insulation passing through fire rated elements.

### APPLICATIONS

Penetrations containing FR Armaflex®-clad copper pipes for hot, cold and air-conditioning (twin pipes) through fire rated concrete/masonry walls and floors, and drywalls.

### FEATURES

- Fully certified to Australian Standards AS1530.4 & 4072 for up to 2 hours of fire rating.
- Quick and easy to install.
- Intumescent material expands in a fire, replacing the foam insulation and creating a solid and compacted expansion char.
- The addition of mineral fibre insulation will increase the Insulation rating in certain larger pipe applications. See table below for options.

### INSTRUCTIONS

- Use Multiflex sealant to seal small gaps between armaflex insulation and wall/floor interface.
- Clip Retrofit collar around armaflex insulation.
- Apply bead of Multiflex fire rated sealant to back of collar prior to pushing against wall or floor.
- Attach collar to underside of slab or to wall using steel fixings (Dynabolts, steel knock-ins for masonry elements, and screws with washers for plasterboard walls).
- Do not seal between pipe and inside of collar.

### HOW TO SPECIFY

*Eg, "Seal penetration using Pyropanel RF 50\* Retrofit Fire rated collar and Pyropanel Multiflex fire rated sealant, installed as per manufacturer's instructions".*

\* Denotes example - delete, change or specify as required

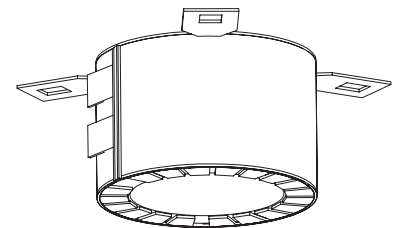
### MODELS AVAILABLE

| Model  | Nominal pipe diameter (mm) | Thickness of insulation (mm) | Nom. Collar opening (mm) | FRL   |
|--------|----------------------------|------------------------------|--------------------------|---|
| RF 40  | 15 or 20                   | 9                            | 45                       | -/120/120                                       |
| RF 40  | 15                         | 13                           | 45                       | -/120/120                                       |
| RF 50  | 20                         | 9-13                         | 58                       | -/120/120                                       |
| RF 50  | 10 + 6 (twin)              | 10 + 12 (twin)               | 58                       | -/120/120                                       |
| RF 50  | 25                         | 13                           | 58                       | -/120/120                                       |
| RF 65  | 25                         | 19                           | 70                       | -/120/120                                       |
| RF 100 | 50                         | 19                           | 112                      | -/120/30 <sup>1</sup><br>-/120/120 <sup>2</sup> |
| RF 125 | 75                         | 19                           | 130                      | -/120/30 <sup>1</sup><br>-/120/120 <sup>2</sup> |
| RF 150 | 100                        | 25                           | 165                      | -/120/30 <sup>1</sup><br>-/120/120 <sup>2</sup> |

#### Notes:

- If no insulation protection is used over the FR Armaflex cladding.
- With 50mm thick, 450 grade mineral fibre insulation (one sided foil faced), 600mm long. For wall applications - fibre insulation on either side of the wall. For floor applications - fibre insulation on the upper surface of the floor.

**Note:** Minimum 140mm element thickness for fire rated Masonry/Concrete walls. Minimum 120mm element thickness for fire rated Concrete floors. Minimum 112mm thickness for Fire rated plasterboard walls.



#### Pyropanel Developments Pty Ltd

235 Huntingdale Road, Oakleigh, Vic 3166  
 Ph: **(03) 9837 8500** Fax: (03) 9837 8550  
 Email: [sales@pyropanel.com.au](mailto:sales@pyropanel.com.au)  
 Web: [www.pyropanel.com.au](http://www.pyropanel.com.au)

#### Distributed by:

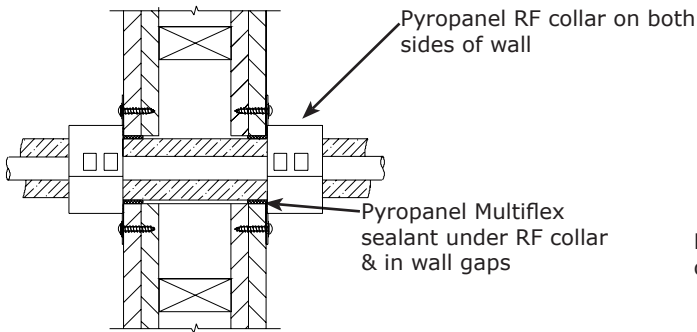
#### Holland Fire Doors & Windows

23 Saggart Field Rd, Minto, NSW, 2566  
 Ph: **9603 8500**  
 Email: [sales@hollandfiredoors.com.au](mailto:sales@hollandfiredoors.com.au)

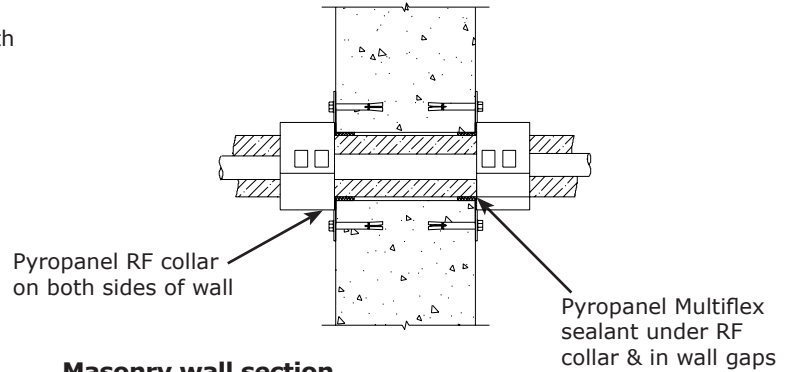
**COLLARS & WRAPS**

**Pyropanel RF collars for Armaflex-clad Metal Pipes**

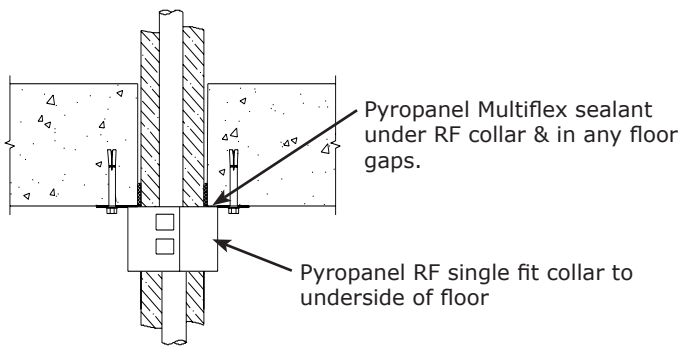
**BUILDING IN DETAILS**



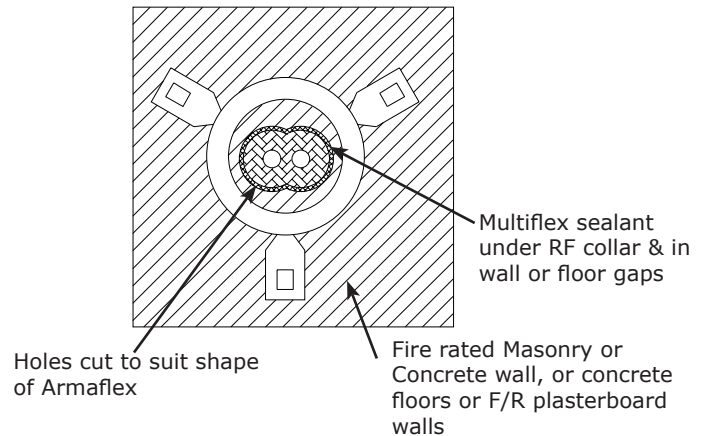
**Plasterboard wall section**



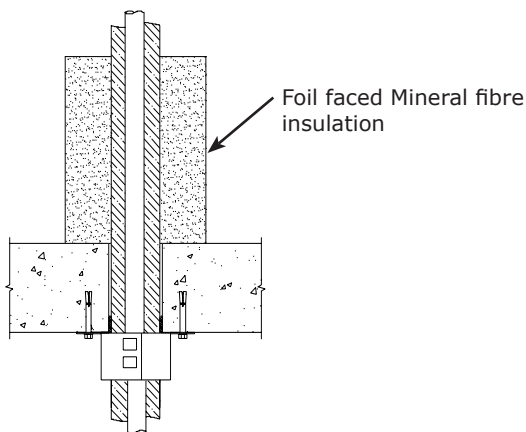
**Masonry wall section**



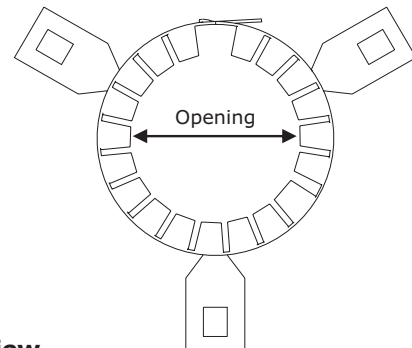
**Concrete floor section**



**Twin pipe application through RF 50 fire collar with intersecting holes for Armaflex insulation pipe passing through**



**Example of Mineral fibre insulation for RF 100 -RF 150 in concrete floor application to achieve -/120/120.**



**Collar end view**

**Pyropanel Developments Pty Ltd**  
 235 Huntingdale Rd, Oakleigh, Vic 3166  
 Ph: (03) 9837 8500 Fax: (03) 9837 8550  
 Email: [sales@pyropanel.com.au](mailto:sales@pyropanel.com.au)  
 Web: [www.pyropanel.com.au](http://www.pyropanel.com.au)

**Distributed by:**  
**Holland Fire Doors & Windows**  
 23 Saggart Field Rd, Minto, NSW, 2566  
 Ph: 9603 8500  
 Email: [sales@hollandfiredoors.com.au](mailto:sales@hollandfiredoors.com.au)